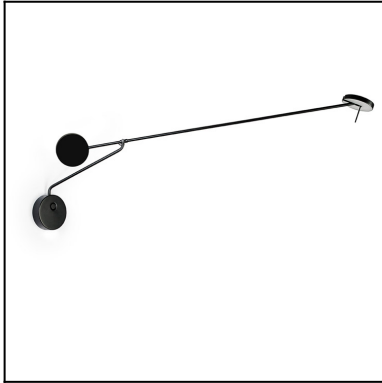


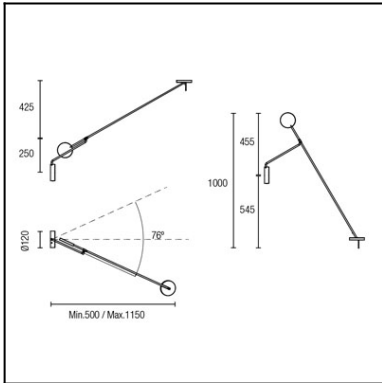


Design by Francesc Vilaró

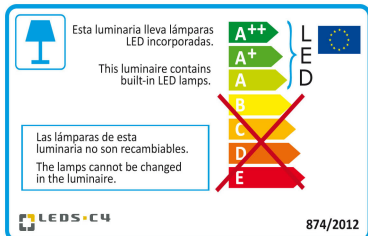
ENGINEERS IN LIGHTING



The photograph may not match the reference exactly. Please read the product description to identify the finish.



Download photometric file .ldt / .ies



Click on image to download energy label

TECHNICAL CHARACTERISTICS

Type:	Wall fixture
IP Protection degrees:	IP20
Light source 1:	48 x LED 9W Warm White - 3000K 765 lm ^(N) CRI 80
Voltage / Frequency:	100-240V/50-60Hz
Warranty (Years):	2
Option to extend the guarantee (Years):	5
Units per box:	2
Net Weight (Kg):	2.585
EAN:	8435381430207



MATERIALS / FINISHES

Structure material:	Aluminium Steel	Diffuser material:	Methacrylate
Structure finish:	Matt black	Diffuser finish:	Tinted

GEAR

Multi-voltage electronic gear included (100-240V / 50-60Hz)
 Dimming protocol: Touch dimmer

Lm^(N): Nominal flow of light in actual working conditions. Its actual flow will depend on the environmental conditions and the efficiency of the optics and/or diffuser.

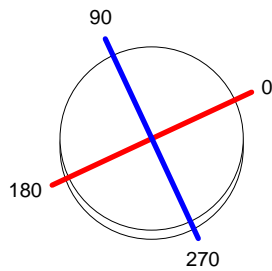
LEDS-C4 reserves the right to make the necessary technical changes they deem adequate, in order to improve the features of the product.

Please consult the sales team to clarify any doubt.

Luminaire		Measuram.		Lamp			
Code	05-5079-05-05	Code	05-5079-05-05	Code	05-5079-05-05		
Name	Aplique INVISIBLE 9W 3000K	Name	Aplique INVISIBLE 9W 3000K	Number	1		
Line	- LEDS C4 LEDS	Date	17-09-2015	Position	Universal		
Luminaire Flux	567.99 lm	Luminaire Power	9.00 W	Efficacy	63.11 lm/W	Efficiency	100.00%
Lamps Flux	568.00 lm	Maximum value	236.19 cd	Position	C=0.00 G=0.00	CG Double Symmetrical	
Round Luminaire		Diam.	110 mm	Height	15 mm		
Round Luminous Area		Diam.	100 mm	Height	0 mm		
Horizontal Luminous Area	0.007854 m2			Emitting area on Plane 180°	0.000000 m2		
Emitting area on Plane 0°	0.000000 m2			Emitting area on Plane 270°	0.000000 m2		
Emitting area on Plane 90°	0.000000 m2			Glare area at 76°	0.001900 m2		
Coordinate system	CG			Symmetry Type	Double Symmetrical		
Date	17-09-2015			Maximum Gamma Angle	180		
Measurement Distance	6.44			Measurement Flux	567.83 lm		
Operator	Asselum T2			Source voltage	230.00 V		
Temperature	25.00 °C			Source current			
Humidity	43.00 %			Photocell	Prc		
Notes							

Line	Code	Luminaire Lamps	Flux [lm]	Pow. [W]	Q.ty
- LEDS C4 LEDS	05-5079-05-05	Name Lâmpara leds 9W 3000K	568.00	9.00	1
C.I.E.	52 82 96 99 100	D DIN 5040	A41		
F UTE	0.99 D + 0.01 T	B NBN	BZ 4		

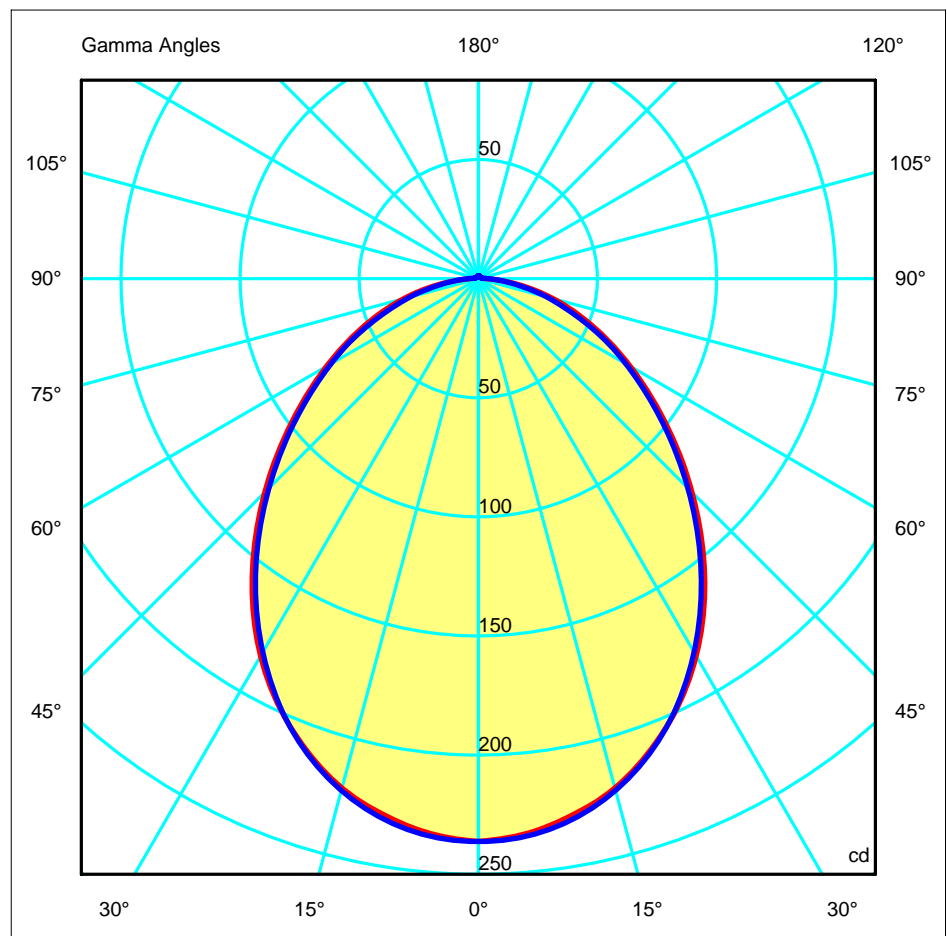
Diam=110mm

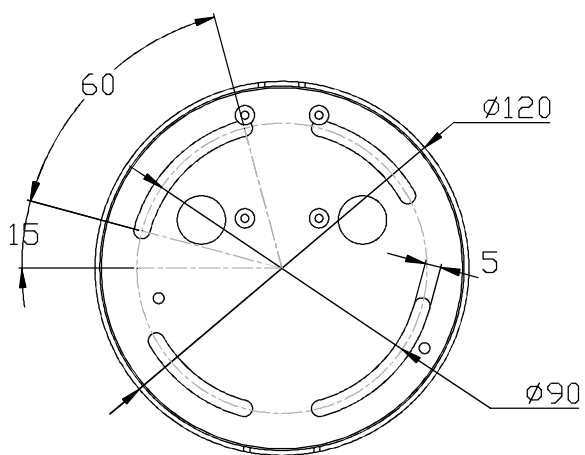
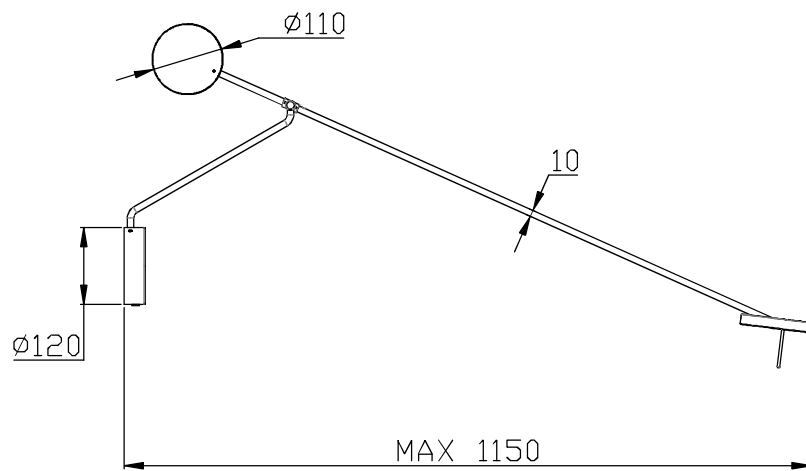
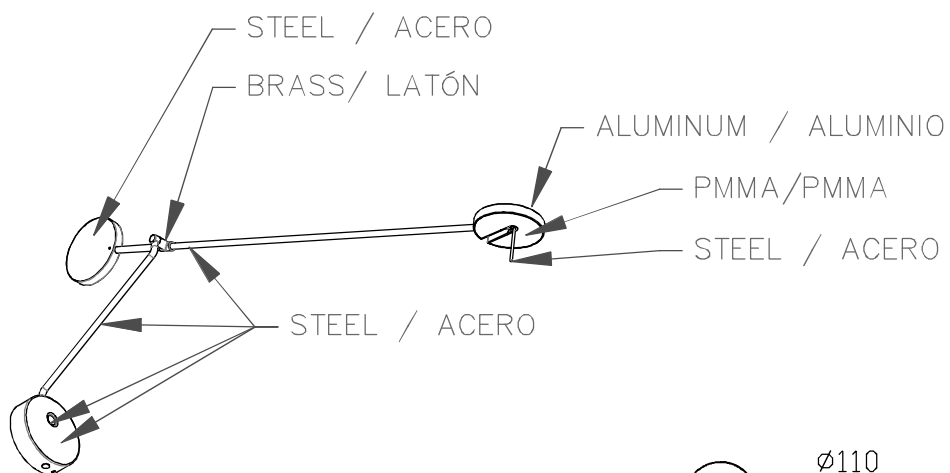


C Halfplanes

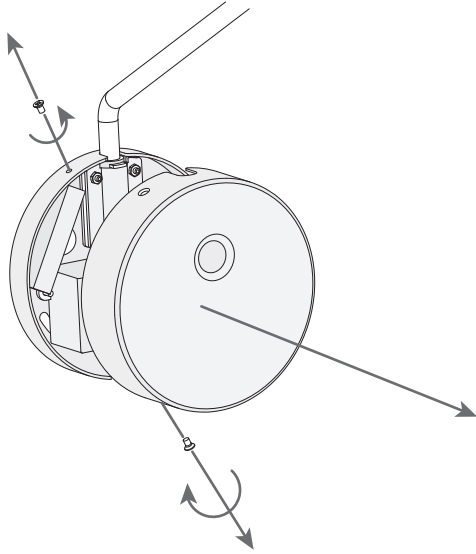
180.0 — 0.0
270.0 — 90.0

ULOR 1.47 %
DLOR 98.52 %
RN 1.47 %

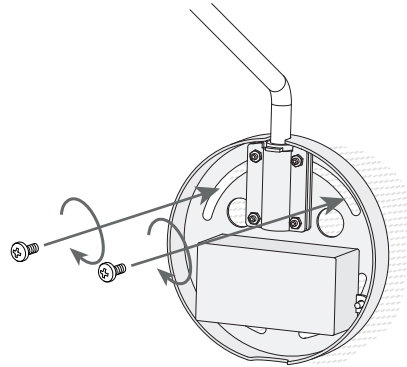




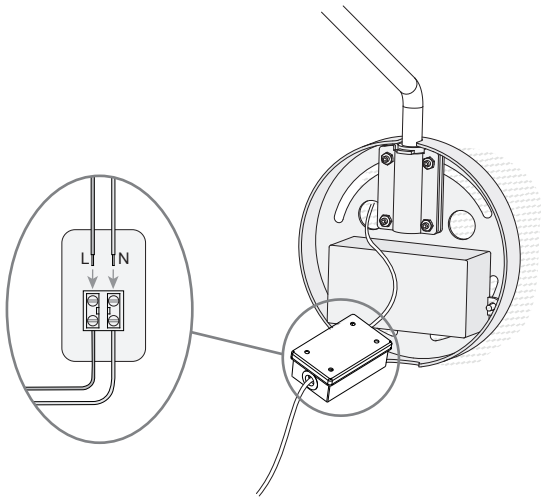
1



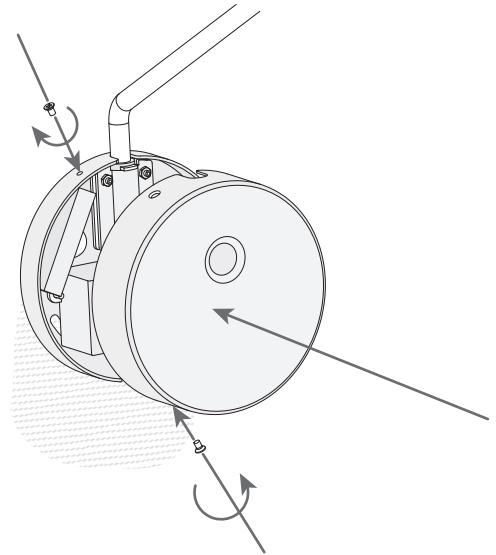
2



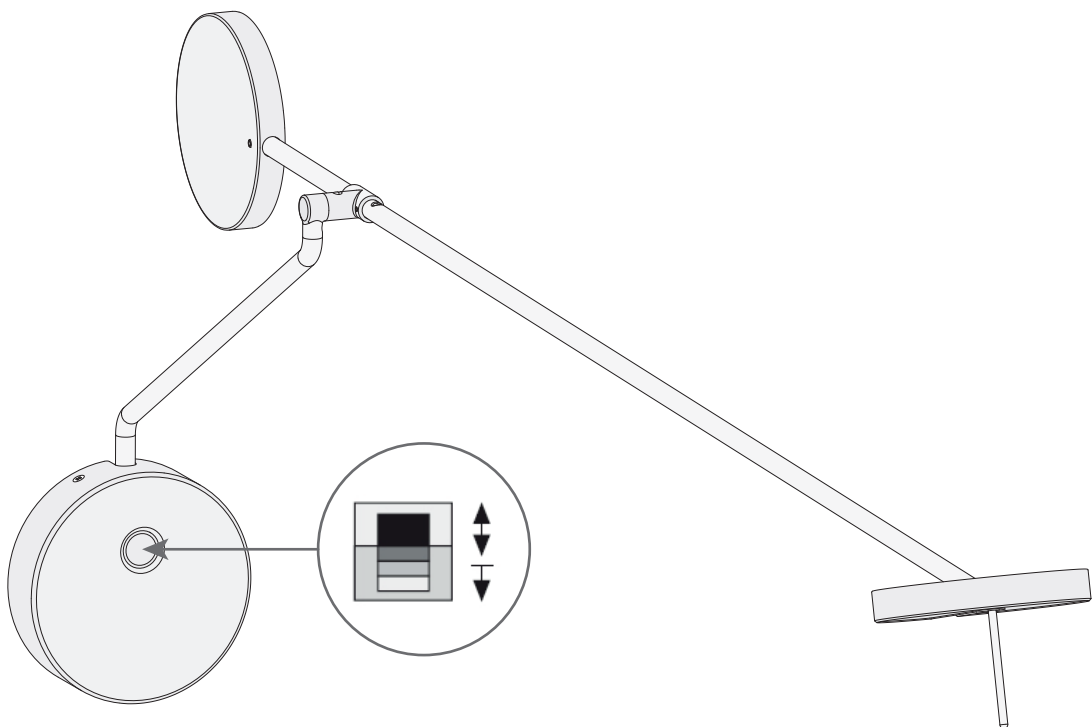
3



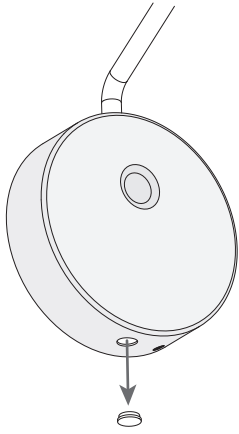
4



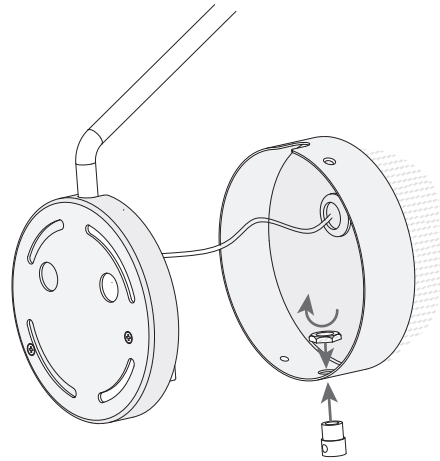
5



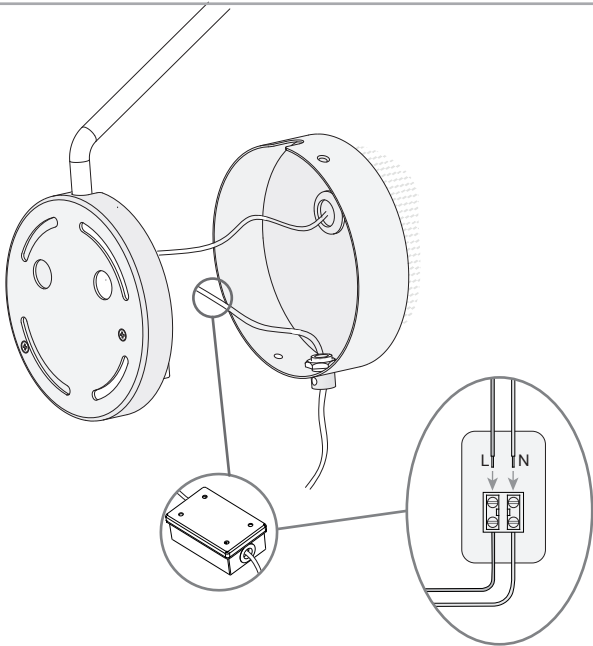
1



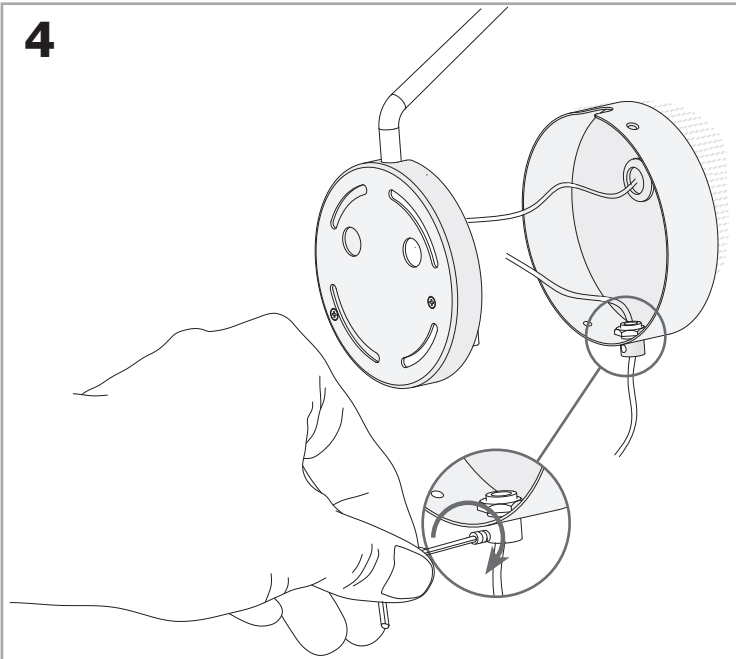
2



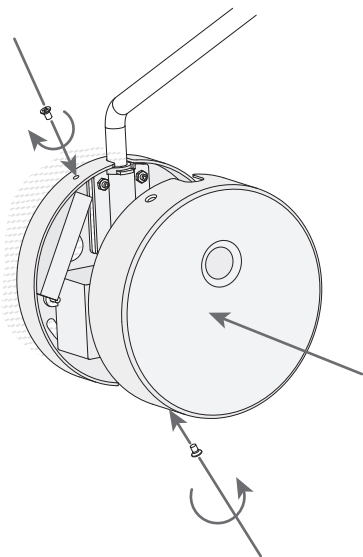
3



4



5



6

