

TAKE WL

W

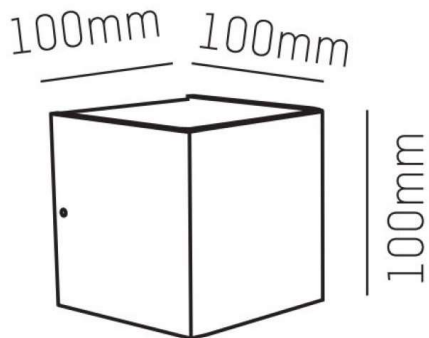


Sample image

PRODUCT DETAILS

Wall luminaire, aluminium, white powder-coated, direct/indirect beam.

DRAWING



TECHNICAL DETAILS

|                     |            |                       |               |
|---------------------|------------|-----------------------|---------------|
| No. of bulb holders | 1x         | Voltage [V]           | 230V          |
| Socket              | G9         | Colour temp. [K]      |               |
| Ceiling cutout [mm] |            | Beam angle [°]        |               |
| Recess depth [mm]   |            | CRI                   |               |
| Diameter [mm]       |            | Luminous flux [lm]    |               |
| Length [mm]         |            | Ec [kWh/1000h]        |               |
| Width [mm]          | 100        | Lifetime [h]          |               |
| Height [mm]         | 100        | Energy efficiency cl. | A+++E         |
| Troat [mm]          | 100        | Voltage class [V]     |               |
| IP protection class | IP20       | Bulb type             | QT-14 ECO 33W |
| Customs tariff no.  | 9405109890 | Colour finish         | weiß          |
| EAN-Number          |            |                       |               |
| Net weight [kg]     | 0,5        |                       |               |

LIGHT DISTRIBUTION CURVE



Sample image