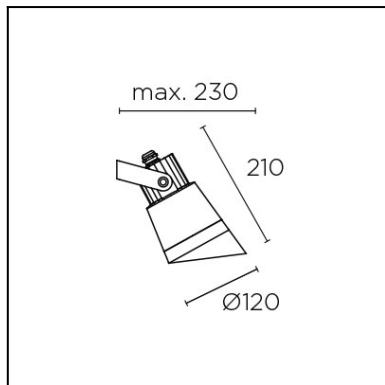


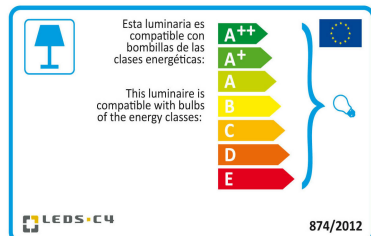
Design by Francesc Vilaró



The photograph may not match the reference exactly. Please read the product description to identify the finish.



Download photometric file .ldt /.ies



Click on image to download energy label

TECHNICAL CHARACTERISTICS

Type:	Spotlight
Adjustable:	Adjustable $\pm 90^\circ$ on the horizontal axis.
IP Protection degrees:	IP65
Light source 1: Bulb specified at the product label	1 x GU10 MAX 50W
IK Protection degrees:	IK06
Total power consumption (W):	50
Voltage / Frequency:	230V/50-60Hz
Warranty:	2
Units per box:	8
Net Weight (Kg):	0.680
EAN Code:	8435111074992



MATERIALS / FINISHES

Structure material: High purity aluminium

Diffuser material: Glass

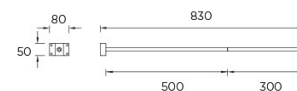
Structure finish: Grey

Diffuser finish: Tempered

71-9487-34-34



Structure material: Galvanized steel
Structure finish: Grey



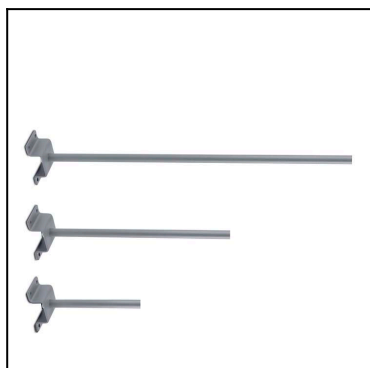
71-9746-05-05



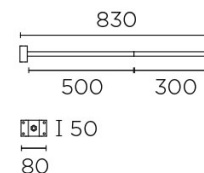
Structure material: Polycarbonate
Structure finish: Black

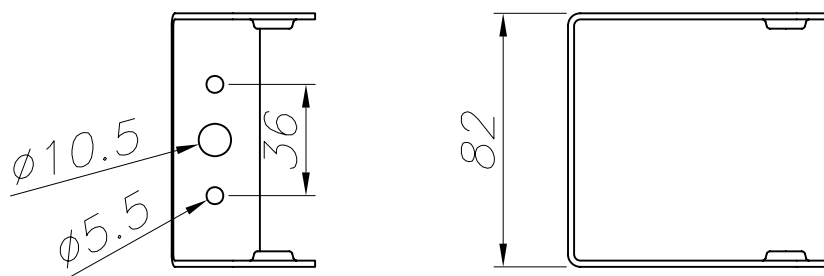
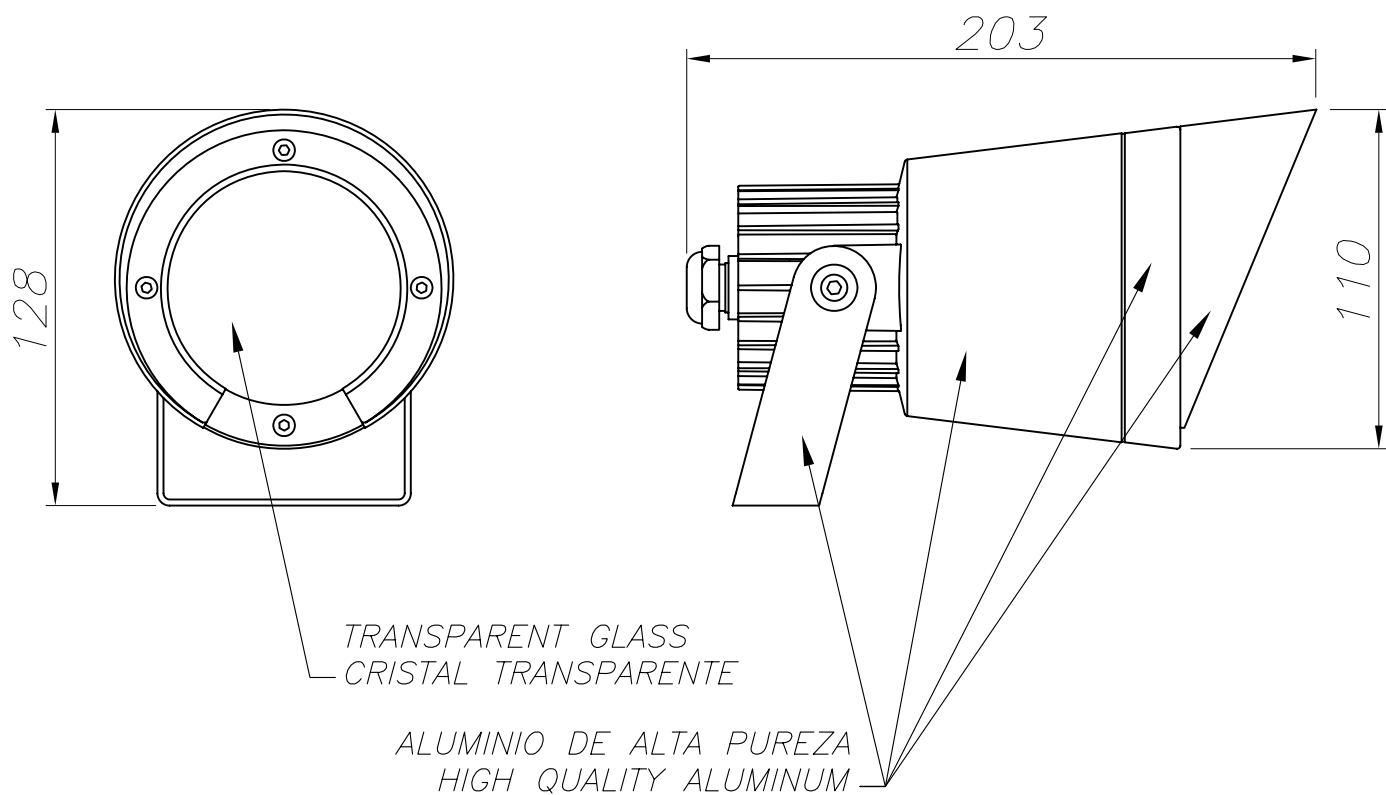


71-9487-34-34V1



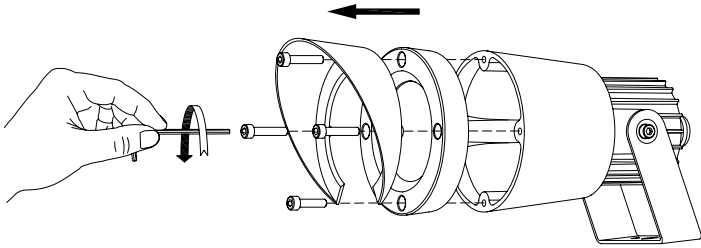
Structure material: Galvanized steel
Structure finish: Grey



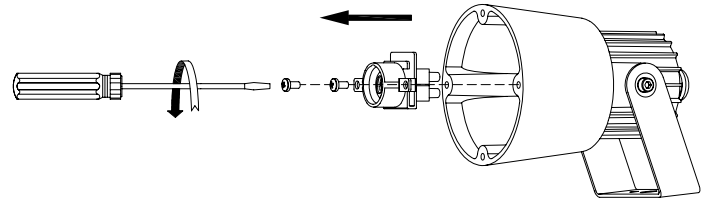


PLANTILLA DE INSTALACIÓN
INSTALLATION TEMPLATE

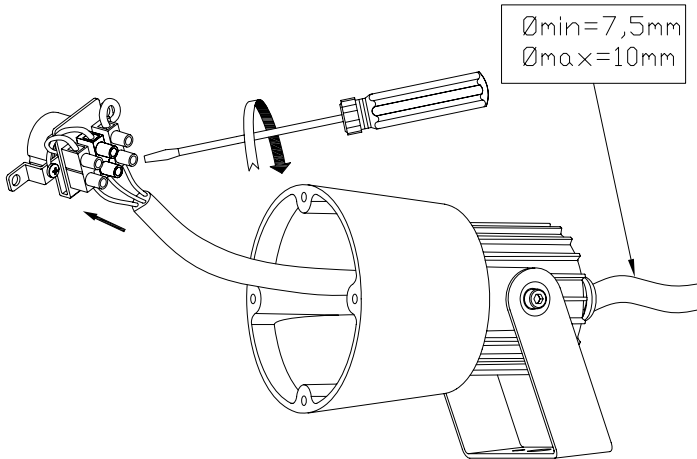
①



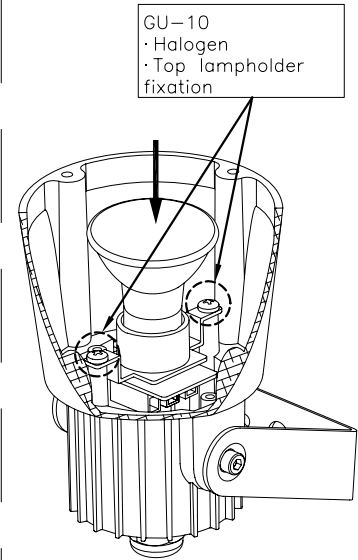
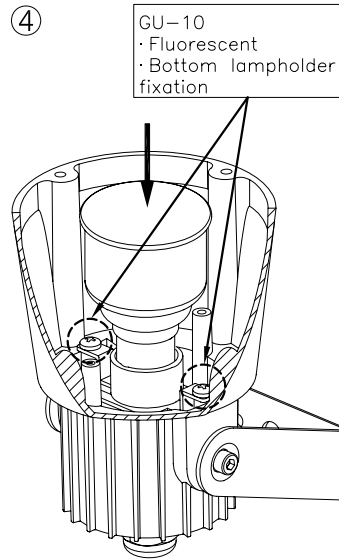
②



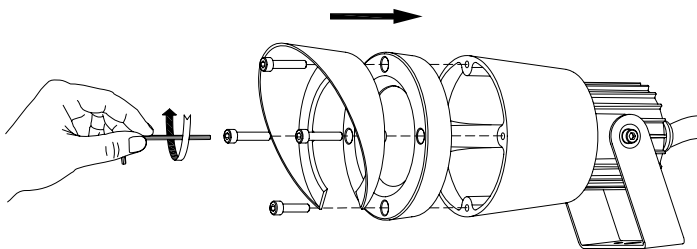
③



④



⑤



⑥

