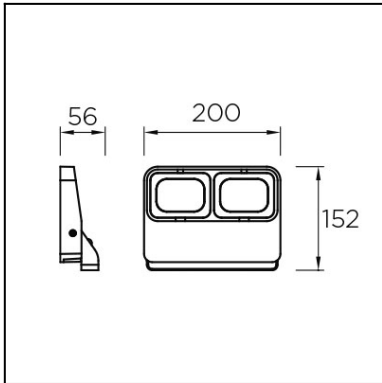
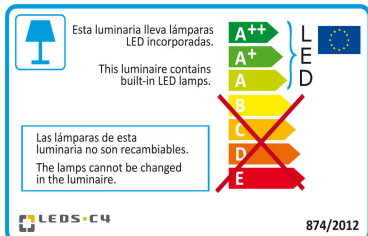




The photograph may not match the reference exactly. Please read the product description to identify the finish.



[Download photometric file .ldt /.ies](#)



[Click on image to download energy label](#)

TECHNICAL CHARACTERISTICS

Type:	Spotlight
Adjustable:	Adjustable $\pm 90^\circ$ on the horizontal axis.
IP Protection degrees:	IP65
Light source 1:	12 x LED Osram
Bulb specified at the product label	11W Warm White - 3000K 1134 lm ^(N)
IK Protection degrees:	IK10
Total power consumption (W):	13.9W
Angle of the optics / Reflector:	25°
Voltage / Frequency:	100-240V/50-60Hz
Warranty:	2
Option to extend the guarantee:	5
Units per box:	8
Net Weight (Kg):	0.610
EAN Code:	8435381440541



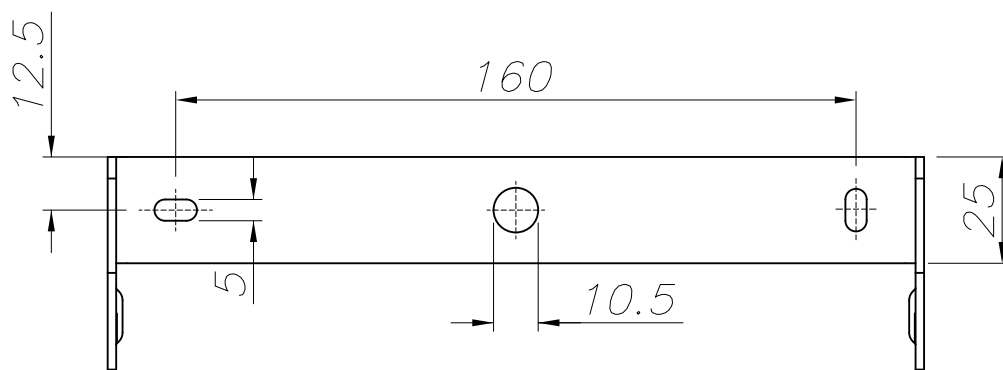
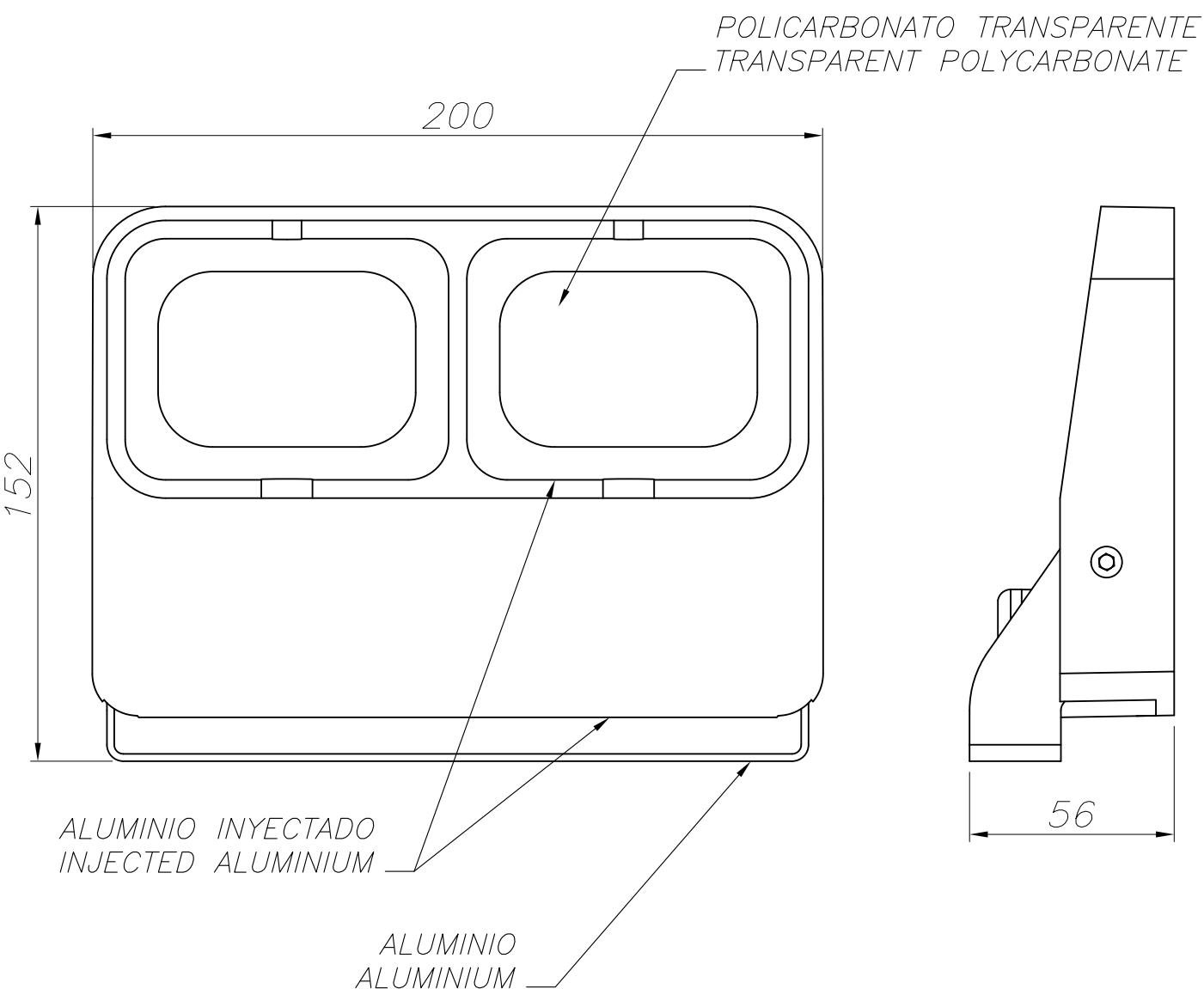
MATERIALS / FINISHES

Structure material: High purity aluminium
Structure finish: Urban grey

Diffuser material: Polycarbonate
Diffuser finish: Transparent

GEAR

Multi-voltage electronic gear included (Yes)



PLANTILLA DE INSTALACIÓN
INSTALLATION TEMPLATE

